

Closeup view of QPEC rubber lined ½ cu. ft
Attrition Scrubber discharge end to left

Applications

Many mineral, chemical, and industrial processes require intensive scrubbing or mixing action to remove surface contaminants or valuable products from solids; to separate solids grains from cementing material; to disintegrate clay balls and other materials; or to condition materials with reagents at high density.

Typical applications include:

- Removal of iron stains and/or clay from glass sands.
- Upgrading uranium ores by liberating high grade slimes from low grade or barren sands.
- Removal of clay slimes from sands in the processing of potash, phosphate, and other ores.
- Intense high density reagent conditioning of solids ahead of the flotation process in the recovery of phosphate, potash, molybdenum, and other materials.
- Repulping of reclaimed solids from tailings ponds for retreatment.

Advantages

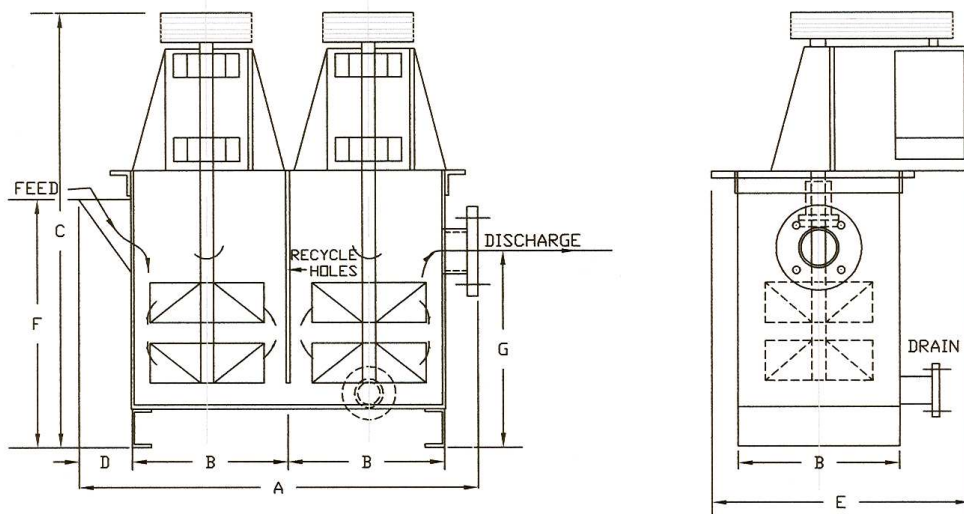
Quinn units are designed with opposed axial flow impellers of 100 % and 150% pitch. Thus, a high impact-shear zone is created between the propellers and intense multiple grain-to-grain contact is present throughout the entire mass.

Cells are provided with large feed boxes and flanged discharges. Single cell units can also be furnished for batch operations. Tanks are of square configuration and, therefore, are "self baffling."

Units are designed with 'down-flow" through the first cell, "up-flow" through the second, etc. Recirculation holes are provided in intermediate cell baffles. Cells are available as single-cell through 4-cell units.

All wetted components are rubber or neoprene covered for abrasive-corrosive applications. Covers are provided with inspection ports.

(Dimensions and specifications on reverse side.)



DIMENSIONS

VOL./CELL SIZE	CU.FT.	H.P./CELL	CELL SIZE	COMMON TO ALL NO. CELL					ONE CELL		TWO CELL		THREE CELL		FOUR CELL	
				B	C	D	F	G	A	E	A	E	A	E	A	E
1/2	1/2	3/4	9 1/4" x 9 1/4"	12 3/4	31	4	17-1/2	15	19 3/4	24	32-1/2	34	45 1/4	34	58	34
1	1	1 1/2	12" x 12"	15 3/4	36	6	20-1/2	18	26 3/4	27	42-1/2	37	58 3/4	37	74	37
3	3	3	18" x 18"	18 3/4	39	8	23-1/2	21	81 3/4	30	48-1/2	40	67 1/4	40	86	40

GENERAL ARRANGEMENT DRAWING, QUINN ATTRITION SCRUBBER

Specifications

Tanks are of welded mild steel construction, rubber or neoprene lined with feed box and flanged discharge outlet and drain. Covers are mild steel (rubber lined for corrosion if necessary) or of stainless steel.

Multiple cells can be furnished as 2-cell units with step-down flanged connections between units or as in-line 4-cell units with feed box and discharge flange.

Spindle bearing type drive on size 1/2 with aluminum spindle bearing and anti-friction ball bearings.

Reducers (used on sizes 1, 2 and 3) are totally enclosed running-in-oil with output shaft couplings and are mounted on the tank covers.

Propeller assemblies consist of opposed differential axial flow propellers rubber or neoprene covered as an assembly. **V-belt drives** include vari-pitch motor sheaves.

Drive guard is OSHA type.

Motors are totally enclosed fan cooled for 3 ph, 60 Hertz, 230/460 volt operation and are mounted on motor brackets.

Paint: Units are primed with rustoleum and green enamel finish. Sandblast with epoxy paint is available.

General: Units are shipped completely assembled, ready for operation.