



QPEC 18" x 24" Cascading Propeller Type Rubber Lined Agitators

Advantages

Quinn offers a complete line of pilot plant and small commercial-size propeller agitators for slurry applications for the mineral, chemical, and other industries. Units with axial flow-type propellers are specifically designed for leaching, dissolution, reactors, reagent conditioning, gas diffusion, storage, and scrubbing processes involving coarse or fine slurries. Vertical turbine mixing and/or pumping impellers are also available for solvent extraction and other solution applications involving mixing or shear.

Specifications

Sizes: As shown on drawing. Special sizes available to suit,

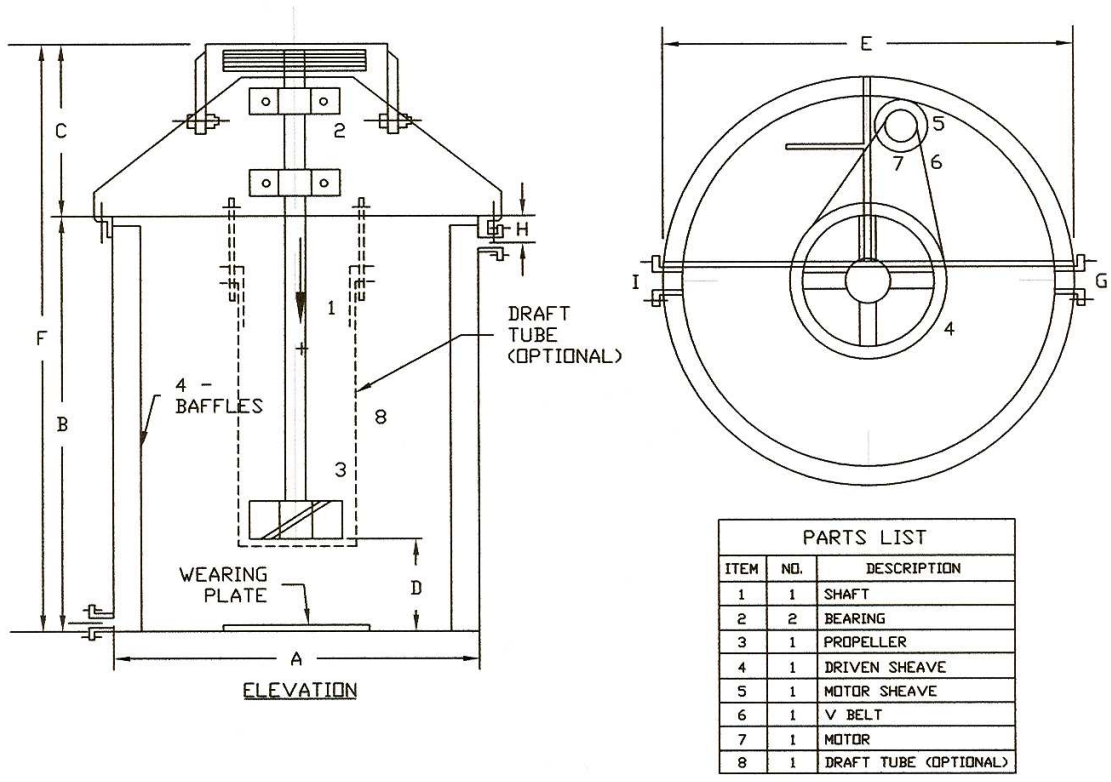
Duty: All sizes available with light, medium, and heavy duty mechanisms.

Agitator Mechanism: Heavy duty shaft with self-aligning locking type bearings. Axial flow type propellers or vertical turbine type or mixing and/or pumping impellers.

Draft Tube: Available all units. Ideal for reagent conditioning, minimum short circuiting, suspension *fast* settling solids, froth breakdown, gas dispersion, induced gas, etc.

V-Belt Drive: Designed to permit 15% or greater speed decrease or increase by changing inexpensive motor sheave. Standard drive guard of solid steel included, OSHA type.

(Dimensions and specifications on reverse side.)



SIZE		DIMENSIONS								
A	B	C	D	E	F	G	H	I	J	
12"	15"	10"	3"	1'-2 1/4"	2'-1"	1-1/2"	3"	1-1/2"	1 5/16"	
18"	24"	11"	4"	1'-8 3/4"	2'-11"	1-1/2"	4"	1-1/2"	1 5/16"	
24"	27"	12"	6"	2'-3 1/4"	3'-3"	1-1/2"	4"	1-1/2"	1 5/16"	
3'	3'-6"	1'-4"	9"	3'-3 3/8"	4'-8"	2"	6"	1-1/2"	1 5/16"	
4'	4'-6"	1'-7"	12"	4'-4 3/8"	6'-1"	2"	6"	2"	1-3/16"	
5'	5'-0"	2'-0"	1'-3"	5'-4 3/8"	7'-0"	3"	6"	3"	1 3/4"	
6'	6'-0"	2'-0"	1'-6"	6'-5 3/8"	8'-0"	3"	6"	3"	1 3/4"	
7'	7'-0"	2'-2"	1'-9"	7'-5 3/8"	9'-2"	4"	6"	4"	2"	
8'	8'-0"	2'-2"	2'-0"	8'-5 3/8"	10'-2"	4"	6"	4"	2"	

Specifications (continued)

Tanks: Standard mild steel with four vertical baffles, rim angle for mounting superstructure, bottom wear plate, flanged overflow and drain connections or other types. Tank covers available.

Cover Seals: Packed and liquid type seals available with covers.

Corrosion Resistance: Standard units have mild steel wetted parts. Available in stainless steel and other alloys or with rubber, neoprene, other elastomers or FRP (fiberglass reinforced polyester) coverings.

Motors: 3, 60, 230/460 Volt