

QPEC Paddle Type Agitator  
10 diameter x 8' deep 316 ss



8' x 10' QPEC Paddle Type Agitator Tank

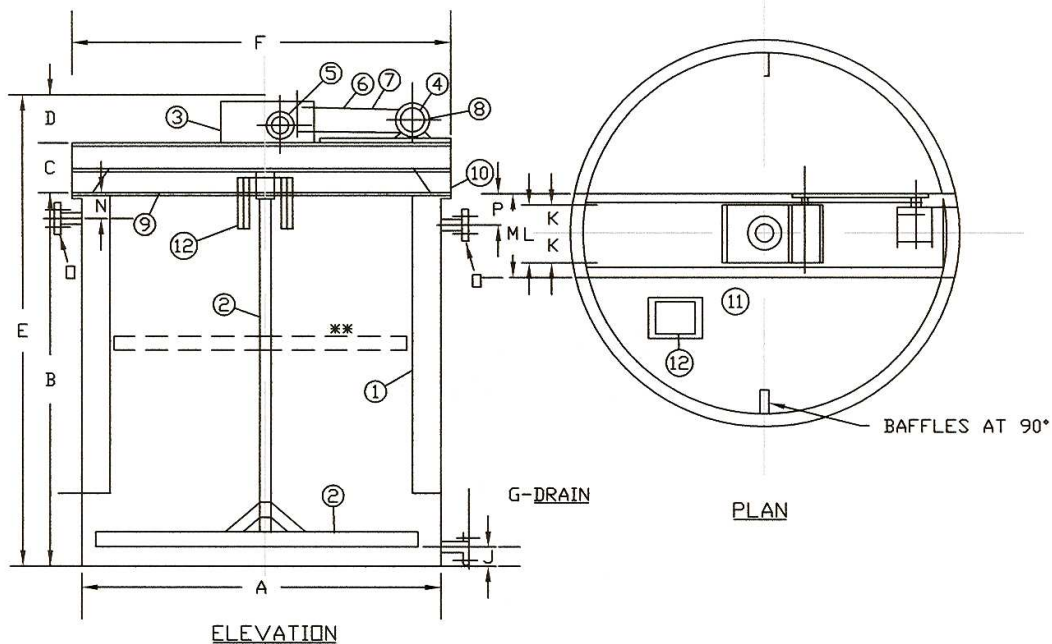
### Applications

Quinn offers a complete line of pilot plant and small commercial size paddle agitators for slurry and liquid mixing applications for the mineral, chemical, and other industries. Generally, paddle agitators are utilized where gentle mixing or storage of liquids, or slow settling slurries is required.

This type agitator also has application where varying level tanks are involved due to the fact that the paddle design provides homogeneous agitation to the lowest tank level. It further assures maximum solids removal from the tank in batch operations. Propeller-type agitators normally have the propellers positioned off the tank bottom and, therefore, do not agitate at the lower levels.

Typical applications include: storage tanks for clay, lime, fine concentrates, etc., where minimum power input is required; precipitation or crystallization where process requires minimum degradation; and holding tanks for pilot plant processes.

(Dimensions and specifications on reverse side.)



PARTS LIST			DIMENSIONS - INCHES																	
ITEM	DESCRIPTION	QUANT	SIZE	A	B	C	D	E	F	G	H	I	J	K	L	M	N	O	P	HP*
1	TANK WITH BAFFLES	1	24	24	8	4½	37	27	1	2	6	2½	1½	6	8	3	1½	4	¾	
2	SHAFT-PADDLE ASSEMBLY	1	36	36	8	5½	49	39	1	3	6	2½	1½	8	10	3	1½	4	1	
3	MECHANISM	1	48	48	10	5¾	63	51	1½	4	8	2½	1¼	9	12	3	2	4	1½	
4	MOTOR SHEAVE	1	60	60	12	7¼	79	65	1½	5	8	2½	1¼	10	14	4	3	5	2	
5	DRIVEN SHEAVE	1	72	72	12	7½	92	75	2	6	10	3	1½	12	16	4	3	5	2	
6	V-BELT	1	84	84	14	8¾	105	90	2	6	10	3	1½	14	18	4	4	6	3	
7	MOTOR	1	96	96	16	8¾	121	102	2½	7	10	3½	1½	14	18	4	4	6	3	
8	DRIVE GUARD NOT SHOWN	1																		
	-->OPTIONAL ITEMS<--																			
9	TANK COVER	1																		
10	TANK COVER GASKET	1																		
11	INSPECTION DOOR	1																		
12	INSPECTION DOOR GASKET	1																		

\* HORSE POWER BASED ON - 65 MESH, 2.7 SPECIFIC GRAVITY, 30% SOLIDS SLURRY

### Specifications

**Sizes:** As shown on drawing. Special sizes available to suit.

**Agitator mechanism:** Enclosed running-in-oil worm gear reducer mechanism. Output shaft coupling.

**Paddle assembly:** Mild steel shaft and paddle welded as a unit. Normally, both upper and lower paddles furnished on units deeper than 60". All paddles pitched at an angle.

**V-belt drive:** Designed to permit 15% or greater speed decrease or increase by changing inexpensive motor sheave. Standard drive guard of solid steel included.

**Motors:** 3, 60, 230/460 Volt.

**Tanks:** Standard mild steel with four vertical baffles, rim angle, flanged overflow and drain connections.

**Painting:** Standard with rustoleum primer and green finish coat. Sand blasting and other coatings to suit customer requirements.

**Corrosion resistance:** Standard units have mild steel wetted parts. Available in stainless steel and other alloys or with rubber, neoprene, other elastomers or FRP (fiberglass reinforced polyester) coverings.